



T: 0121 511 1190  
 F: 0121 511 1192  
 E: DavidL@claytonholdings.com  
 W: www.claytonholdings.com

# Beta Heat Treatment Ltd

Specialists in the heat treatment of high criticality fasteners for the sub sea and marine industry.



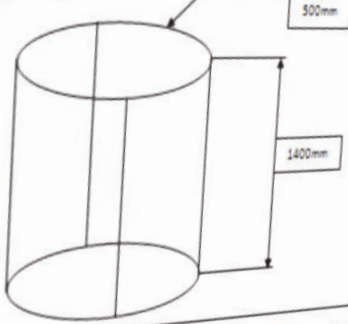
## Excellent Temperature Uniformity Full Furnace Chart Traceability.



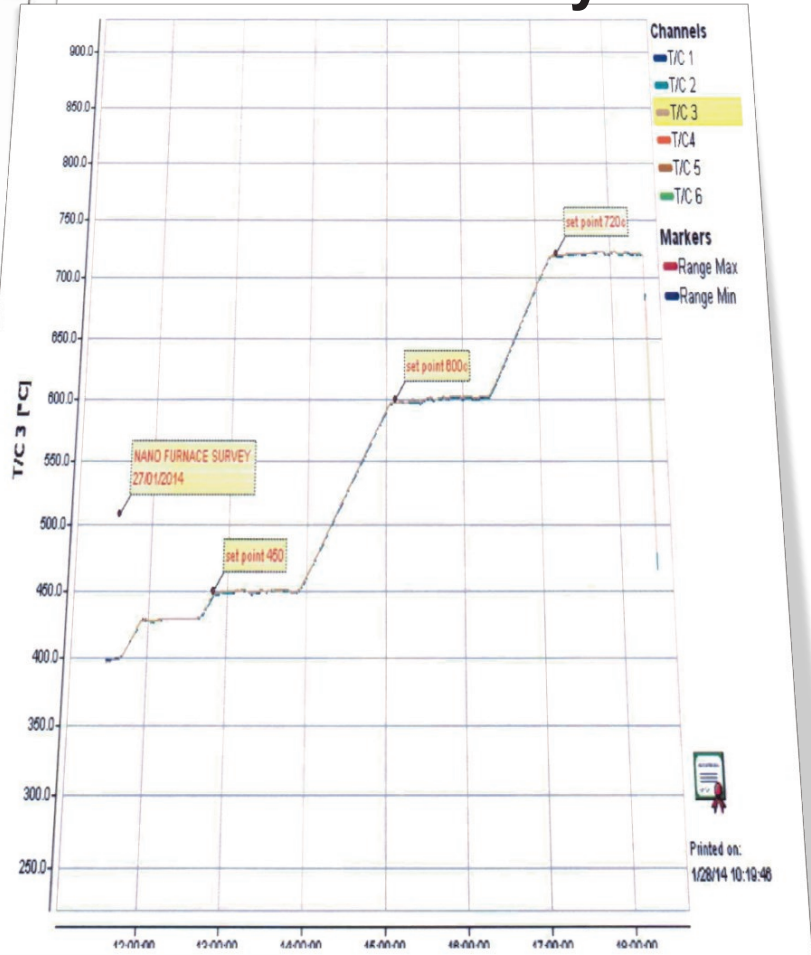
### Furnace Data Sheet

Furnace ID	Fluid Bed Furnace 1
Class	N/A
Furnace Operating Range	400°C - 1050°C
Working Volume (Depth x Dia.)	1400mm x 500mm

Working Volume & Insertion Depth Dimensional Schematic



Thermocouple Serial	6974/2/6
Thermocouple Type	Type K
Date of Installation	19.6.13
Next change	19.6.15
Temperature Uniformity Survey	600°C - 850°C
Survey Range	22.11.13
Survey Start Date	22.11.13
Survey Finish Date	Pass
Survey Result	C Griffin
Surveyed by	600°C - 850°C
Current Working Temperature Range	On Or Before 22.11.14
Next Survey	High Criticality & Commercial
Approved for	L. Hickens
Quality Department Signature	12.02.14
Date	



Printed on: 1/28/14 10:19:46